



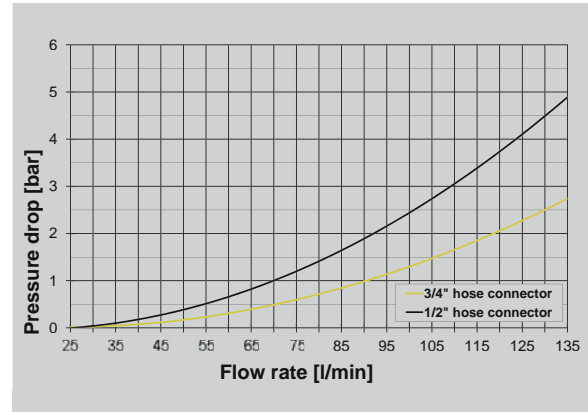
Electrical Boom Section Valve . Modular-Fit Valve

Modular-Fit Valve, 3-way with constant pressure system

- modular pressure relief and/or circulating system
- three different electrical connections
- direct electrical control (plus/minus) or with control signal (7mA) by relay
- high flow rates with low pressure loss
- valve assemblies available to individual configuration
- for section hoses up to $\varnothing 19$ mm
- modular building assembly

Maximum pressure:	12 bar
Voltage:	12 Volt
Control options:	direct plus/minus or control signal 7mA by relay
Switch time:	0,5 s - control gear
Material:	POM GF 25, stainless steel:
	1.4305, FPM and NBR seals

AS1	AS2	A mm
40	24	51



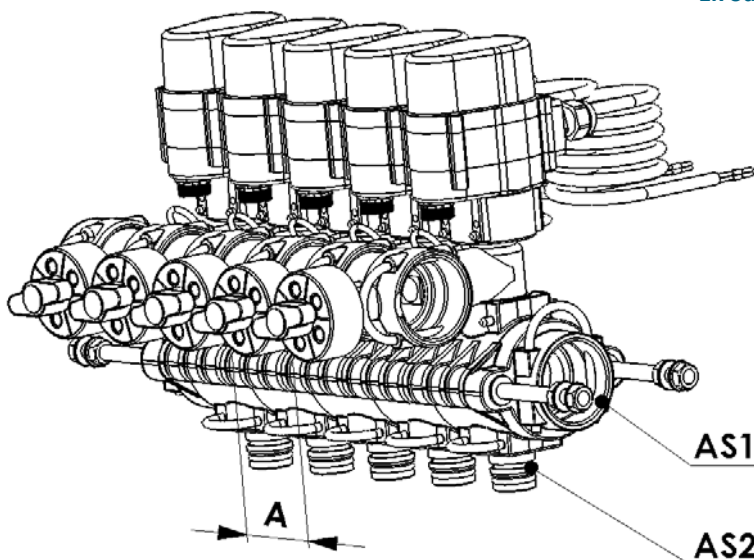
Modular-Fit valve assemblies are possible from 1 to 15 sections valves. All valve assemblies can be made to your specific requirements.

Options:

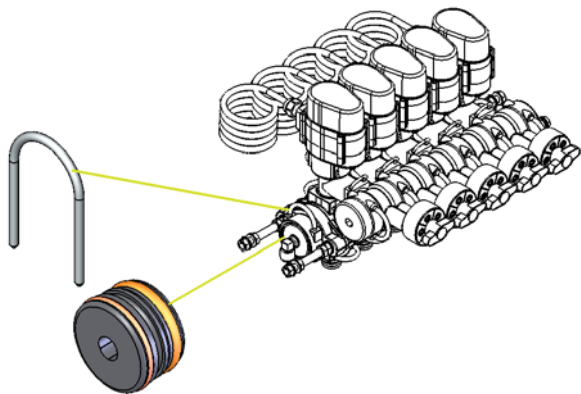
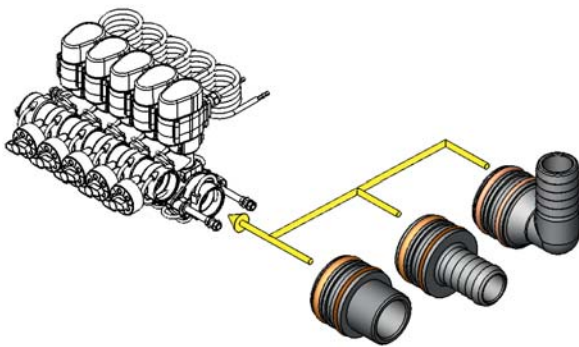
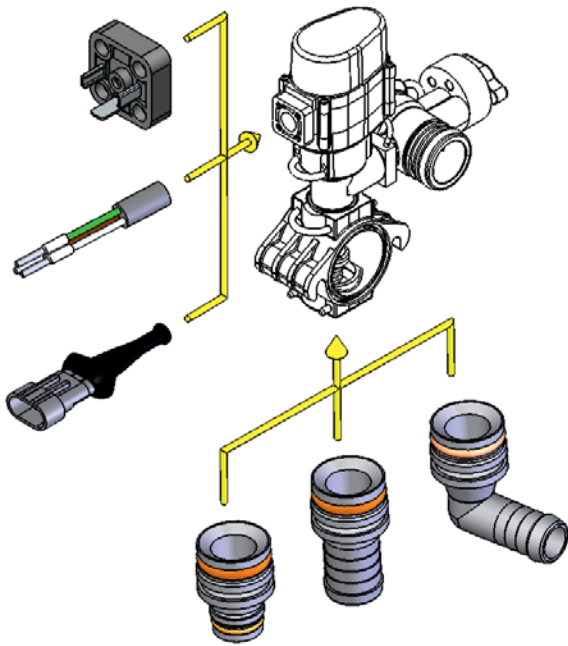
- Special pressure gauge connection for testing equipment
- Additional bypass-valves
- Individual alignment of the gear motor
- Valve assemblies available to individual requirements and can be delivered just in time for production line use

Each valve assembly contains:

- 1x Dummy plug AS40 G $\frac{1}{4}$ female cpl
- 1x Blind cap at the pressure relief canal
- 1x Safety pin AS40



Electrical Boom Section Valve . Modular-Fit Valve



Electrical connections

Plug-in connection DIN-EN 175 301

Cable 1m

AMP - plug; 3-polar; superseal series 1.5

Electrical drive

Three wire, control by relay
control signal (-): 12Volt/0Volt=closed/open (7 mA)

Three wire, control by relay
control signal (+): 12Volt/0Volt=open/closed (7 mA)

Two wire direct control - plus/minus

Recommended fittings AS30 with valve seat 120°

Article-No.	Type
00420	Plug-in hose tail AS30/ø20 cpl
81119	Plug-in hose tail AS30/ø25 cpl
01399	Plug-in hose tail AS30/ø33 cpl
33793	Plug-in hose tail AS30/ø33/90° cpl
80378	Plug-in hose tail AS30/AS24 cpl

Recommended Fittings AS40

80361	Plug-in hose tail AS40/G1/male cpl
80398	Plug-in hose tail AS40/G1¼/male cpl
04595	Plug-in hose tail AS40/ø25 cpl
04581	Plug-in hose tail AS40/ø33 cpl
09184	Plug-in hose tail AS40/ø25/90° cpl
08874	Plug-in hose tail AS40/ø33/90° cpl

More Fittings: see AS plug-in fittings, AS40