



## Multi-Spray Direct Control Quad

**Pneumatic nozzle body with additional electro pneumatic valves mounted on the body**

### Specifications:

- Electropneumatic valve for ON and OFF operation is mounted directly on the nozzle body
- Control current < 0,06A
- 12 V Voltage
- Maximum spray liquid pressure: 15 bar
- Minimum pneumatic pressure: 4,5 bar
- Maximum pneumatic pressure: 6,5 bar

### System integration into the field sprayer:

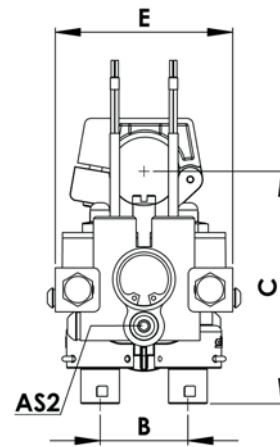
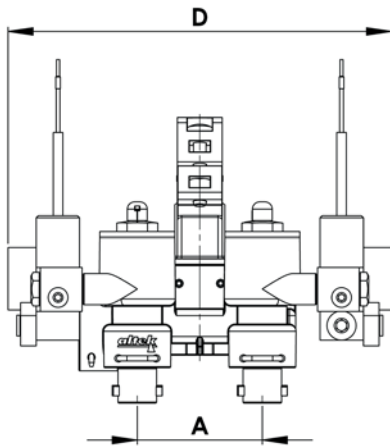
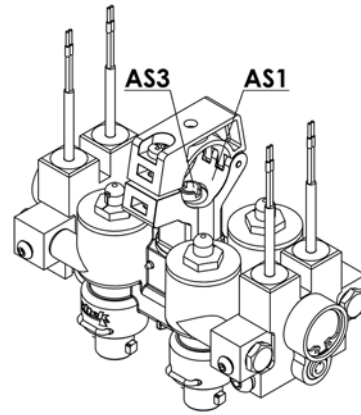
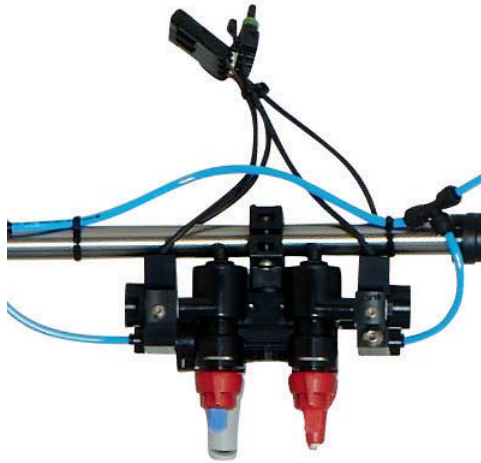
- For OEM original fitment and retrofitting
- Replaces the standard section valves and hoses
- Only one electrical line per orifice and section required (Master-Slave version)
- Reduction in residual liquids, recirculation possible by mounting hoses in a ring line
- No additional electropneumatic valve bank required
- Easy mounting of the pneumatic hoses
- Individual nozzle control possible with additional controller

### Benefits for the end user:

- Ideal for spray operators requiring different application rates/drop sizes/fast and easy nozzle change
- Nozzle control is operated directly on the spray line
- Fast and safe ON/OFF control reduces chance of overapplication
- Selective manual or automatic nozzle-switching is possible, depending on the electronic equipment
- GPS-controlled single nozzle or section control is possible with additional controllers
- Instant liquid spray pressure at all nozzles when turning on (circulation system)
- Pressure recirculation system possible
- Minimal residual chemicals = less waste, reduced costs and safer environment



# Multi-Spray Direct Control Quad



## Multi-Spray Direct Control Quad position 0°/0°

Art-No.	Type	A mm	B mm	C mm	D mm	E mm	AS1 mm	AS2 mm	AS3 mm
83253	Multi-Spray Direct-Control 4N; ½" ; Ø9,5	60	42	103	184	85	½"	Ø6	Ø9,5
83254	Multi-Spray Direct-Control 4N; ¾" ; Ø9,5	60	42	109	184	85	½"	Ø6	Ø9,5
83255	Multi-Spray Direct-Control 4N; ¾" ; Ø11	60	42	109	184	85	¾"	Ø6	Ø11
83256	Multi-Spray Direct-Control 4N; 1" ; Ø9,5	60	42	114	184	85	1"	Ø6	Ø9,5
83257	Multi-Spray Direct-Control 4N; 1" ; Ø11	60	42	114	184	85	1"	Ø6	Ø11

87 oder 85 wie im deutschen?

