



## Pressure relief valve 3–15 bar

Pressure relief valves –also called safety valves- applied in sprayers are ensuring a maximum pressure in order to prevent any bursting hoses or components. They are safety-related components.

Altek offers fix adjusted relief valves applicable for various pressure levels. The valve housing with AS40 connectors allows an easy and cost saving assembly process. Due to the big cross section and the aerodynamic housing they can be used for outputs of 400 l/min. For all that, they are very firm and well fitted to the Altek quick-fit system.



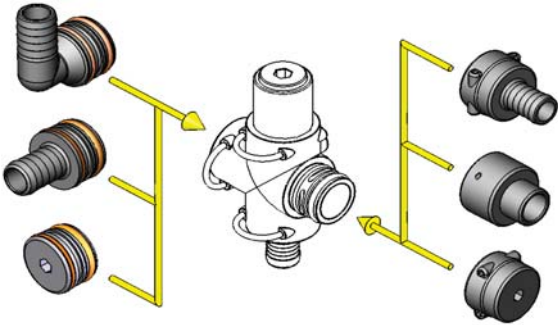
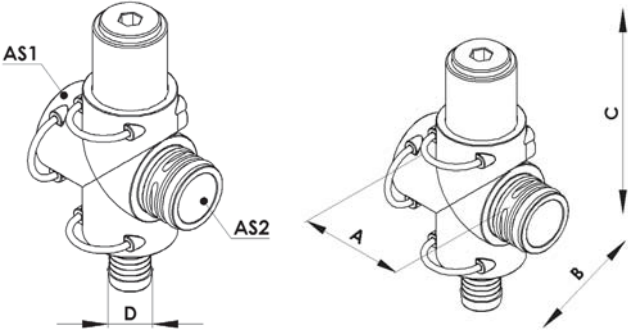
**Pressure relief valve**

- safe and quick assembly using the altek plug-in system
- fully integratable with modular-fit and quick-fit and quick-fit valve series
- flat characteristic curve
- double piston sealing
- additional piston guide

Flow rate: 100–400 l/min  
 Opening pressure: 10 bar\*  
 Max pressure: 11 ba\*\*  
 Maxpressure: 13,5 bar  
 Closing pressure: 7,2 bar bei 260 l/min  
 Material: POM GF 25, Steel: 1.4305, FPM and NBR seals

\* Slow reduction of the load flow rate down to 0 litres/minute at 260 litres/minute inflow

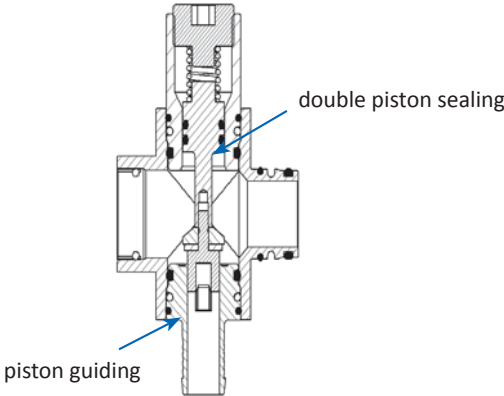
\*\* Sudden reduction of the load flow rate down to 0 litres/minute at 260 litres/minute inflow



Plug-in hose tail

Female hose tail

Recommended Fittings AS40	
Article-No.	Type
04595	Plug-in hose tail AS40/ø25 cpl
04581	Plug-in hose tail AS40/ø33 cpl
09184	Plug-in hose tail AS40/ø25/90° cpl
80357	Plug-in hose tail AS40/ø25 cpl
34232	Plug-in hose tail AS40/ø33 cpl
47993	Blind cap AS40
More Fittings: see section AS40 Fittings	



Article-No.	Type	Color	AS1	AS2	D mm	A mm	B mm	C mm
83275	Pressure control valve QFPR, 3 bar	Blue	40	40	33	105	65	190
83276	Pressure control valve QFPR, 6 bar	Green	40	40	33	105	65	190
81493	Pressure control valve QFPR, 10 bar	Yellow	40	40	25	105	65	190
82994	Pressure control valve QFPR, 15 bar	Red	40	40	25	105	65	190