



Mechanical valves · Mechanical shut off valve 36/AS24

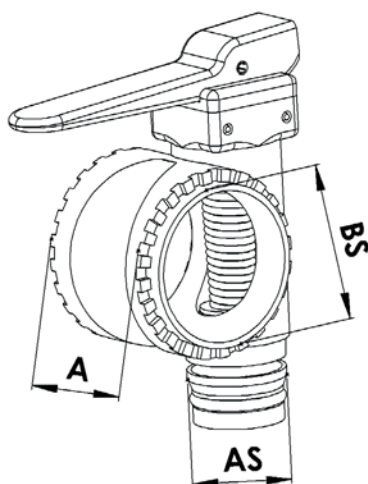
Mechanical shut off valve 36/AS24

- simple mechanical shut off valve for hoses until 16 mm
- coloured levers for different functions
- optimal designed for our regulator systems
- individual choice of valve alignment
- robust construction
- multi-combinable with the altek modular system Baukastensystem

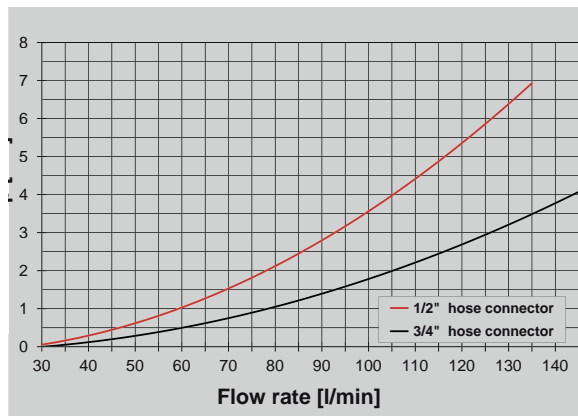
Maximum pressure:	12 bar
Inlet- ϕ :	36 mm, tuned to fit the altek modular system
Outlet- ϕ :	AS24
Material:	POM, PA, stainless steel: 1.4305, FPM and NBR seals

Options:

- Additional colours for levers are available on request



BS mm	AS	A mm
36	24	35



Art.No.	Type	Remarks Control lever
82193	Mechanical shut off valve 36/AS24	Control lever forward-turned
47810	Mechanical shut off valve 36/AS24	Control lever backward-turned

Recommended safety pins

Art.No.	Type
18545	Pin AS24

Recommended fittings outlet

34230	Female hose tail AS24/ ϕ 15
34229	Female hose tail AS24/ ϕ 17
34227	Female hose tail AS24/ ϕ 20
More Fittings: section Fittings, AS24	

