



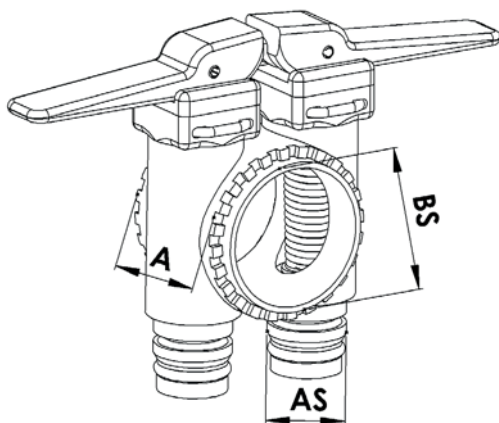
Mechanical double valve 36/AS20

- simple mechanical shut off valve for hoses until 16 mm
- coloured levers for different functions
- optimal designed for our regulator systems
- individual choice of valve alignment
- robust construction
- multi-combinable with the altek modular system

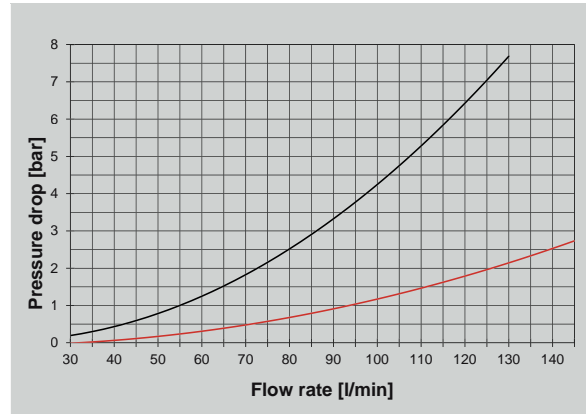
Maximum pressure: 12 bar
 Inlet- ϕ : 36 mm, tuned to fit the altek modular system
 Outlet- ϕ : 2 connections AS20
 Material: POM, PA, stainless steel: 1.4305, FPM and NBR seals

Options:

- Additional colours for levers are available on request



BS mm	AS	A mm
36	20	35



Art.-Nr.	Type	Remarks Control lever
34622	Mechanical Double valve 36/AS20	Control lever colour forwards: Red Control lever backwards: Red
47310	Mechanical Double valve 36/AS20	Control lever colour forwards: Yellow Control lever colour backwards: Blue
47311	Mechanical Double valve 36/AS20	Control lever colour forwards: Green Control lever colour backwards: Black

Recommended safety pins

Art.No.	Type
18545	Pin AS24

Recommended fittings outlet

34230	Female hose tail AS24/ ϕ 15
34229	Female hose tail AS24/ ϕ 17
34227	Female hose tail AS24/ ϕ 20

More Fittings: see section Fittings, AS24

