



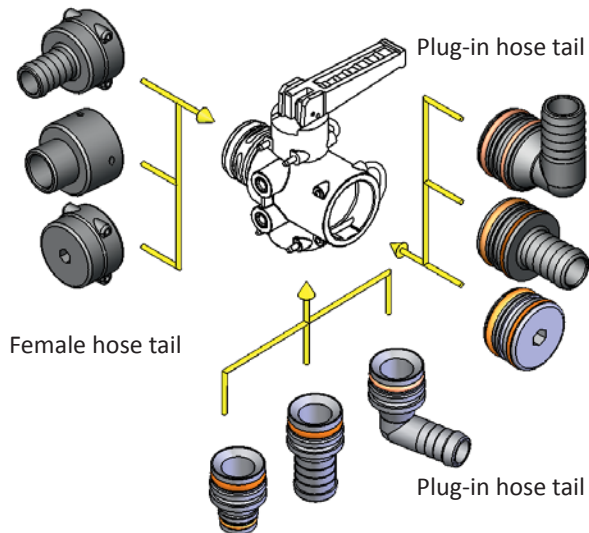
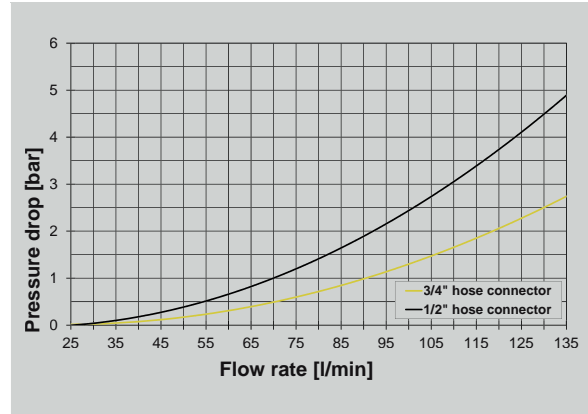
Mechanical valves

Quick-Fit Ventil, 2-way Manual operating

Quick-Fit Valve, 2-Way Manual operating

- quick assembly using the altek plug-in system
- large flow rates with low pressure drop
- for boom section hoses up to $\varnothing 32\text{mm}$
- modular design

Maximum pressure: 12 bar
 Material: POM GF 25, stainless steel: 1.4305, FPM and NBR seals



Recommended Fittings AS24

Art.No.	Type
34230	Female hose tail AS24/ $\varnothing 15$
34229	Female hose tail AS24/ $\varnothing 17$
34227	Female hose tail AS24/ $\varnothing 20$
80349	Female hose tail AS24/ $\varnothing 15/90^\circ$
80350	Female hose tail AS24/ $\varnothing 20/90^\circ$
47094	Female hose tail AS24/AS20 kpl

Recommended fittings AS30 with valve seat 120°

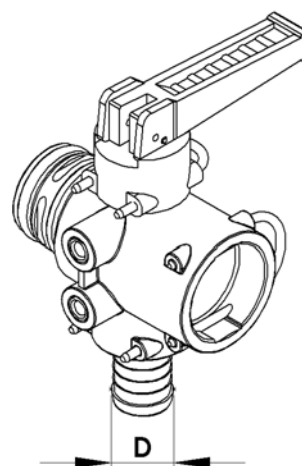
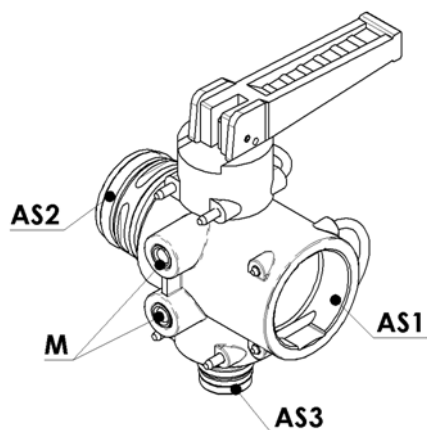
00420	Plug-in hose tail AS30/ $\varnothing 20$ kpl
81119	Plug-in hose tail AS30/ $\varnothing 25$ kpl
01399	Plug-in hose tail AS30/ $\varnothing 33$ kpl
33793	Plug-in hose tail AS30/ $\varnothing 33/90^\circ$ kpl
80378	Plug-in hose tail AS30/AS24 kpl

Recommended Fittings AS40

04595	Plug-in hose tail AS40/ $\varnothing 25$ kpl
04581	Plug-in hose tail AS40/ $\varnothing 33$ kpl
09184	Plug-in hose tail AS40/ $\varnothing 25/90^\circ$ kpl
80357	Female hose tail AS40/ $\varnothing 25$
34232	Female hose tail AS40/ $\varnothing 33$
47993	Blind cap AS40

Mechanical valves

Quick-Fit Ventil, 2-way Manual operating



Art.No.	Type	AS1	AS2	AS3	M	D
80790	Quick-Fit Valve, 2-WAY, AS24, manually	40	40	24	M8	see Fittings
80846	Quick-Fit Valve, 2-WAY, AS30/ø25 manually	40	40	24	M8	see Fittings
80845	Quick-Fit Valve, 2-WAY, AS30/ø33 manually	40	40	24	M8	see Fittings