



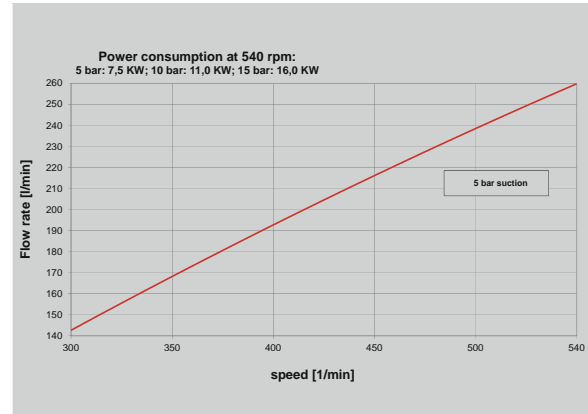
P260/P260

- linear steady state characteristics
- integrated hydraulic accumulator
- safe to run dry (liquid)
- self-priming up to 4 metres depth
- liquid fertiliser-proof (AHL/UAN)

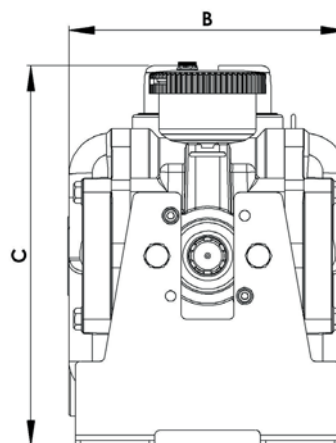
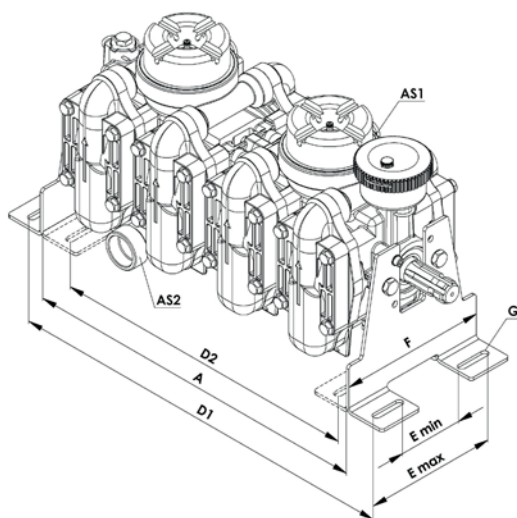
Capacity at 5 bar:	2 x 260 l/min
Nominal speed:	540 U/min
Operating time pressure:	max. 15 bar
Short-term pressure:	max. 20 bar
Speed range:	450-600 U/min
Spline shaft:	DIN 9611/ISO 500
Standard working diaphragms:	8 x NBR
Accumulator diaphragms:	2 x NBR
Inlet- \varnothing suction side:	2 x G2 male, d=47
Outlet- \varnothing pressure side:	2 x AS30
Lubrication:	Oil bath
Weight:	56 kg
Material:	Cast aluminium, partially anodised, NBR seals, POM, stainless steel: 1.4305

Options:

- **Desmopan® diaphragms**
- **Hydraulic drive**



Pump options	
Article-No.	Type
83419	Kolbran pump P260/P260 with bracket and pto protection
More variations on request	
Recommended fittings inlet (AS2)	
--	Fittings G2" BSP male
Recommended fittings outlet (AS1)	
33793	Plug-in hose tail AS30/ \varnothing 33/90° cpl
01399	Plug-in hose tail AS30/ \varnothing 33 cpl



A	B	C
596	262	360
D1	D2	E _{Min}
676	526	110
E _{Max}	F	G
225	250	M12
Specified in mm		