



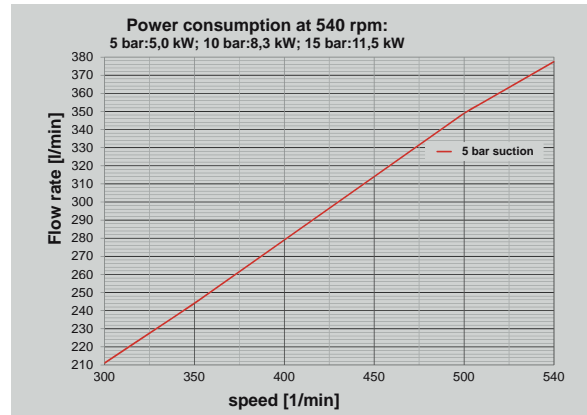
## P380

- linear steady state characteristics
- integrated hydraulic accumulator
- through shaft
- safe to run dry (liquid)
- self-priming up to 4 meters depth
- liquid fertiliser-proof (AHL/UAN)

Capacity at 5 bar:	380 l/min
Nominal speed:	540 U/min
Operating time pressure:	max. 15 bar
Short-term pressure:	max. 20 bar
Speed range:	450-600 U/min
Spline shaft:	DIN 9611/ISO 500
Standard working diaphragms:	6 x NBR
Accumulator diaphragms:	1 x NBR
Inlet- $\phi$ suction side:	2 x G2½ (BSP)
Outlet- $\phi$ pressure side:	2 x AS40
Lubrication:	Oil bath
Weight:	44 kg
Material:	Cast aluminium, partially anodised, NBR seals, POM, stainless steel: 1.4305

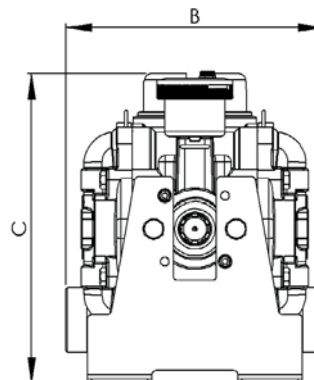
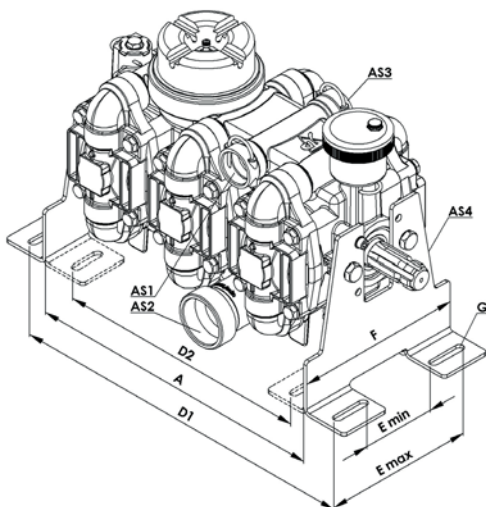
### Options:

- **Desmopan® diaphragms**
- **Through shaft**
- **Hydraulic drive**
- **Through shaft**



### Pump options

Article-No.	Type
83887	Piston diaphragm pump P380
83888	Piston diaphragm pump P380 with bracket and pto protection
More variations on request	
Recommended fittings inlet (AS2 and AS4)	
--	Fittings G2½ male
Recommended fittings outlet (AS1 and AS3)	
08874	Plug-in hose tail AS40/ø33/90° cpl
08275	Plug-in hose tail AS40/ø39/90° cpl
04581	Plug-in hose tail AS40/ø33 cpl
06247	Plug-in hose tail AS40/ø39 cpl
80333	Blank Plug AS40 cpl



A	B	C
456	300	363
D1	D2	E <sub>Min</sub>
536	386	110
E <sub>Max</sub>	F	G
225	250	M12
Specified in mm		