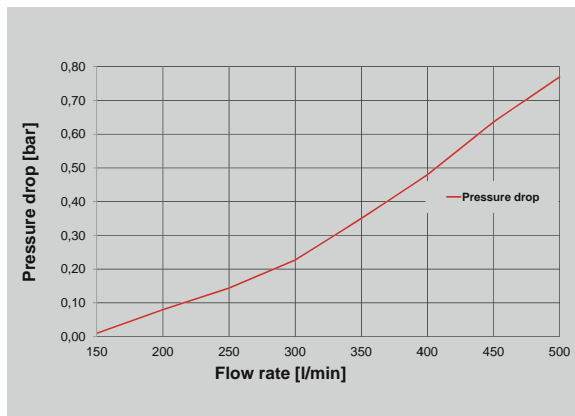
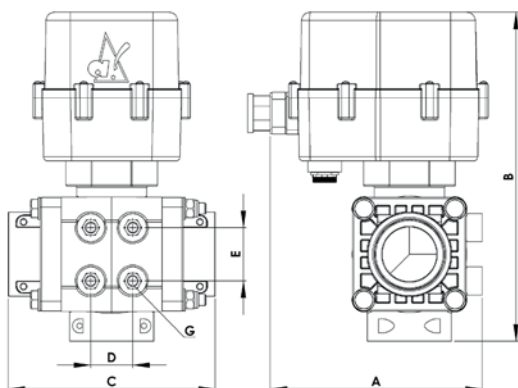
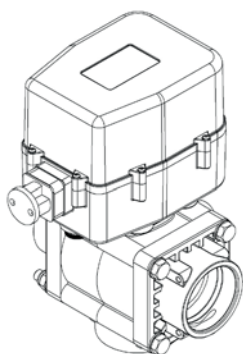




### Electrical 3-way ball valve $\phi 39$ mm bottom feed

- innovative sealing concept with modified Polyamid for increased service life
- gear drive for the valve mounted on low friction bearing
- compact with large 39 mm nominal width
- very short cycle time of 470 ms.
- optional: electric control with potentiometer

Operating time pressure:	max. 15 bar
Flow rate:	max. 500 l/min
Minimum diameter:	32 mm
Ball valve:	Stahl: 1.4305
Nominal voltage:	12 Volt / 24 Volt
Power input:	3,5 A bei 20 bar
Switch time:	450 ms
altek plug in system:	AS50
Seals:	modiefied polyamid
Material:	POM GF 25



Article-No.	Type
83175	Ball valve 3-way, electrical $\phi 39$ mm 2 wire
83176	Ball valve 3-way, electrical $\phi 39$ mm 3 wire
Recommended fittings	
17157	Plug-in hose tail AS50/ $\phi 46$ cpl
17330	Plug-in hose tail AS50/ $\phi 46/90^\circ$ cpl
22040	Plug-in hose tail AS50/ $\phi 39$ cpl
24891	Plug-in hose tail AS50/ $\phi 39/90^\circ$ cpl
80610	Plug-in hose tail AS50/G2/male cpl
82945	Plug-in hose tail AS50/AS40 cpl
More Fittings: see section Fittings AS50	

A	B	C	D	E	F	G
152	235	148	30	38	-	4 x M8
Specified in mm						

