



Ball valves · Smart Series · Electrical 5-way 1¼"

Electrical 5-way ball valve 1¼" Smart Series

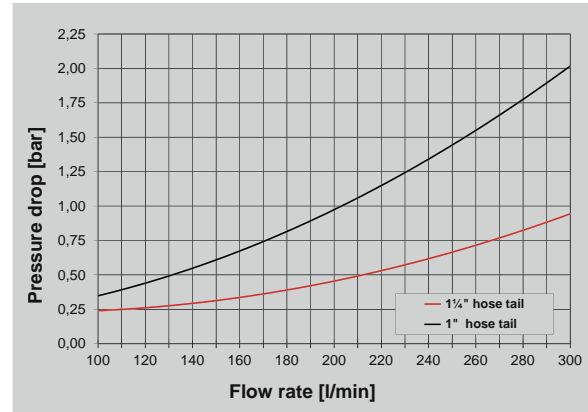
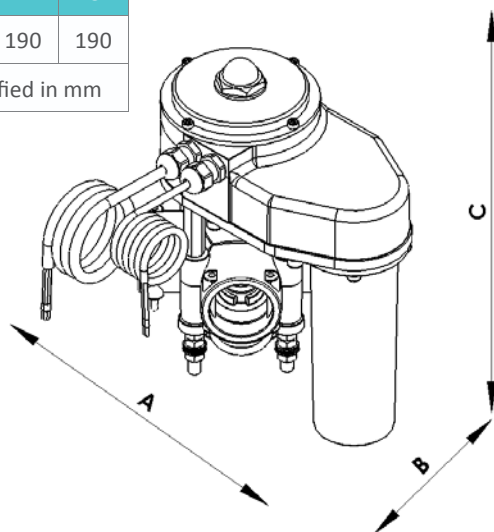
- Programmable Right and Left turning direction or both ways with the option to have two ports open for flushing the systems.
- To avoid deposit on the ball is it possible to change the direction of turning manually or automatically.
- In case of slow or rough-running of the drive the vibration mode can be used to free the ball. The choice can be either manual or automatic
- Network via CAN- or ISO-Bus systems, with the advantage of very high precision and the possibility for online-diagnoses. It is simple to integrate the ball valve operating electronic in the Hardware of OEM's

Operating time pressure:	max. 15 bar
Flow rate:	max. 300 l/min
Inlet-ø:	AS40
Outlet-ø:	AS40
Ball valve:	POM+PTFE
Nominal voltage:	12 Volt
Switch time:	360°/3,0 s
Material:	POM GF 25, PA, FPM and NBR seals

Options:

- Adapter for special connectors
- configurations of several ball valves are available upon request

A	B	C
235	190	190
Specified in mm		



Article-No.	Type
83449	Electrical 5-way ball valve 1¼" Smart Series
Recommended fittings	
80352	Plug-in hose tail AS40/ø20/90° cpl
09184	Plug-in hose tail AS40/ø25/90° cpl
08874	Plug-in hose tail AS40/ø33/90° cpl
08275	Plug-in hose tail AS40/ø39/90° cpl
80353	Plug-in hose tail AS40/ø20 cpl
04595	Plug-in hose tail AS40/ø25 cpl
04581	Plug-in hose tail AS40/ø33 cpl
06247	Plug-in hose tail AS40/ø39 cpl
80333	Dummy plug AS40 cpl
82614	Plug-in hose tail AS40/Banjo 2" cpl
More Fittings: see section Fittings AS40	

