



Ball valves · Smart Series · Electrical 5-way 2", 15 bar

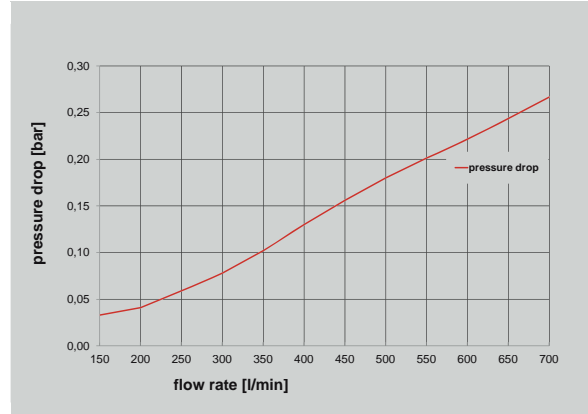
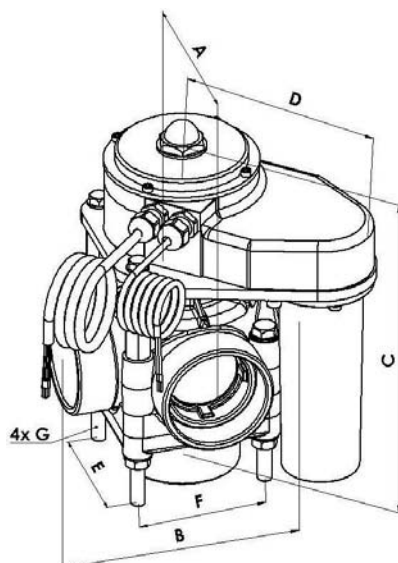
Electrical 5-way ball valve 2", 15 bar Smart Series

- Programmable Right and Left turning direction or both ways with the option to have two ports open for flushing the systems.
- To avoid deposit on the ball is it possible to change the direction of turning manually or automatically.
- In case of slow or rough-running of the drive the vibration mode can be used to free the ball. The choice can be either manual or automatic
- Network via CAN- or ISO-Bus systems, with the advantage of very high precision and the possibility for online-diagnoses. It is simple to integrate the ball valve operating electronic in the Hardware of OEM's

Operating time pressure:	max. 15 bar
Flow rate:	max. 700 l/min
Inlet-ø:	2"
Outlet-ø:	2"
Ball valve:	POM+PTFE
Nominal voltage:	12 Volt
Switch time:	360°/3,0 s
Material:	POM GF 25, PA, FPM and NBR seals

Options:

- Adapter for special connectors (z.B. mit Gewinden kleiner G2)
- configurations of several ball valves are available upon request



Article-No.	Type
83451	Electrical ball valve 5-way 2", 15 bar Smart Series
Recommended fittings	
47713	Adapter for connector KH2/D1=47 cpl
47883	Adapter for connector KH2/D1=63 cpl
47737	Fitting G2/female cpl
47735	Fitting G2/male/L=47,5 cpl
47736	Fitting G2/male/L=75 cpl
82648	Nut G2 ¼ for Fitting G2 Di=68 mm
More Fittings: see section AS Fittings	

A	B	C	D	E	F	G
175	175	270	220	93	93	M10
Specified in mm						

