



Electrical 5-way ball valve 2"

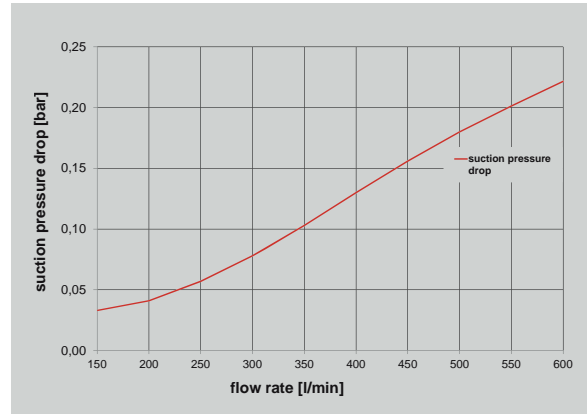
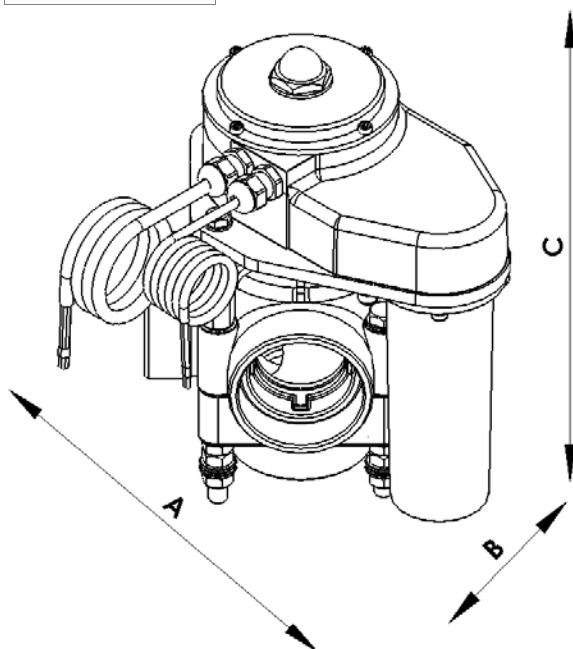
- individual adjustable seals
- high wear resistance
- integrated emergency operation
- optional: special connectors are available
- fittings for $\varnothing 60$ mm hoses
- optional: electric control with potentiometer

Operating time pressure: max. 3 bar
 Flow rate: max. 600 l/min
 Inlet- \varnothing : 2"
 Outlet- \varnothing : 2"
 Ball valve: POM+PTFE
 Nominal voltage: 12 Volt
 Schaltzeit: 360°/3,0 s
 Material: POM GF 25, PA, FPM and NBR seals

Options:

- Adapter for special connectors
- configurations of several ball valves are available upon request

A	B	C
220	155	235
Specified in mm		



Article-No.	Type
47948	Electrical 5-way ball valve 2"
Recommended fittings	
47713	Adapter for connector KH2/D1=47 cpl
47883	Adapter for connector KH2/D1=63 cpl
47737	Fitting G2/female cpl
47735	Fitting G2/male/L=47,5 cpl
47736	Fitting G2/male/L=75 cpl
47587	Nut G2 $\frac{1}{4}$ for Fitting G2 Di=52,5 mm
47733	Nut G2 $\frac{1}{4}$ for Fitting G2 Di=68 mm
More Fittings: see section AS Fittings	

