



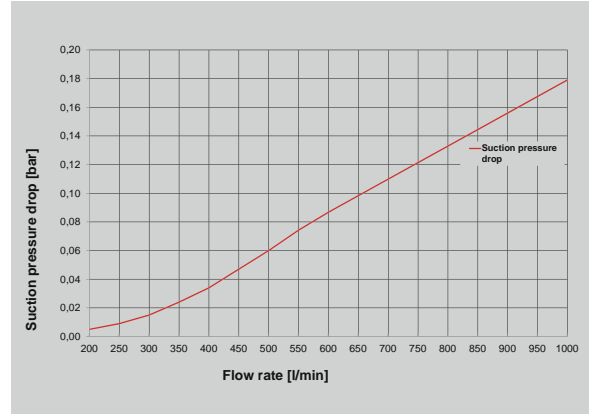
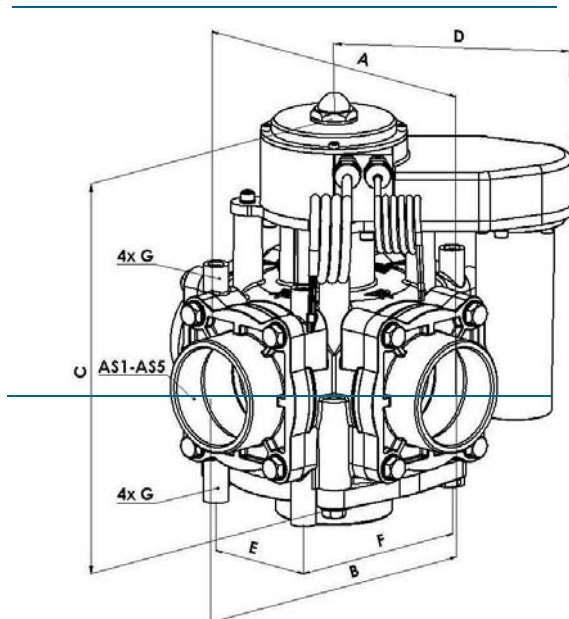
Electrical 5-way ball valve 3" Smart Series

- Programmable Right and Left turning direction or both ways with the option to have two ports open for flushing the systems.
- To avoid deposit on the ball is it possible to change the direction of turning manually or automatically.
- In case of slow or rough-running of the drive the vibration mode can be used to free the ball. The choice can be either manual or automatic
- Network via CAN- or ISO-Bus systems, with the advantage of very high precision and the possibility for online-diagnoses. It is simple to integrate the ball valve operating electronic in the Hardware of OEM's

Operating time pressure: max. 3 bar
 Flow rate: max. 1.000 l/min
 Inlet-ø: 3"
 Outlet-ø: 3"
 Ball valve: POM+PTFE
 Nominal voltage: 12 Volt
 Switch time: 360°/3,0 s
 Material: POM GF 25, PA, FPM and NBR seals

Options:

- Adapter for special connectors
- configurations of several ball valves are available upon request



Article-No.	Type
83452	Electrical 5-way ball valve 3" Smart Series
82011	Flange KH3" cpl G3/male
82542	Flange KH3" cpl G2/female

Recommended fittings Einlass (AS1-AS5)

All fittings of the series of standard BSP fittings can be used

More fittings: see section AS Fittings

A	B	C	D	E	F	AS1-AS5	G
263	263	310	140	93	158	G3 male	M10
Specified in mm							

