



## Ball valves · 5-way 2"

### 5-way ball valve 2"

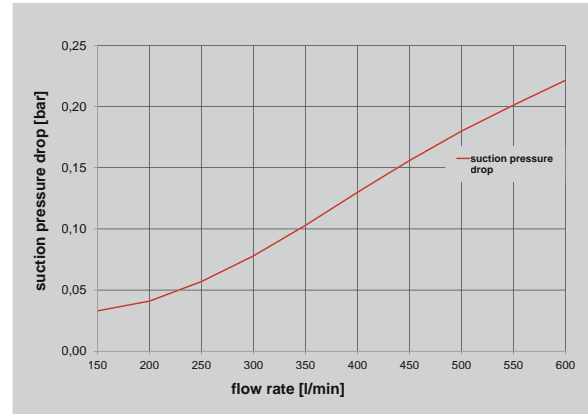
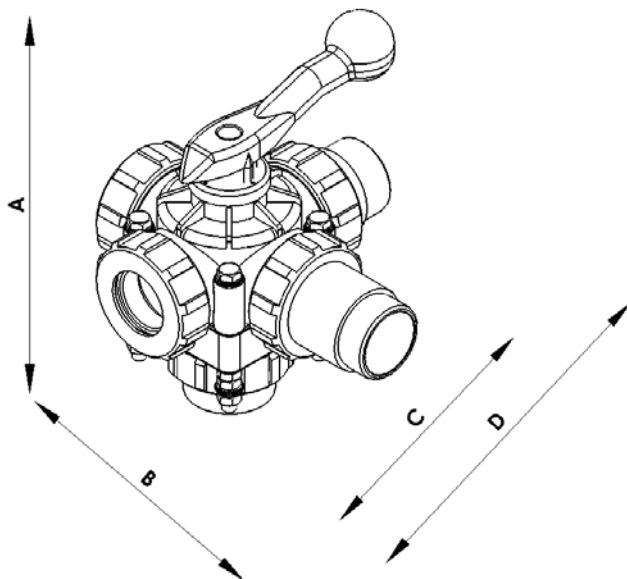
- individual adjustable seal
- high wear resistance
- retrofitable with electric drive
- optional: special connectors are available
- fittings for  $\varnothing 60$  mm hoses

Operating time pressure: max. 3 bar  
 Flow rate: max. 600 l/min  
 Inlet- $\varnothing$ : 2"  
 Outlet- $\varnothing$ : 2"  
 Ball valve: POM+PTFE  
 Material: POM GF 25, PA, FPM and NBR seals

#### Options:

- Adapter for special connectors
- configurations of several ball valves are available upon request

A	B	C	D
235	190	190	260
Specified in mm			



Article-No.	Type
82757	5-way ball valve 2"
<b>Recommended fittings</b>	
47713	Adapter for connector KH2/D1=47 cpl
47883	Adapter for connector KH2/D1=63 cpl
47737	Fitting G2/female cpl
47735	Fitting G2/male/L=47,5 cpl
47736	Fitting G2/male/L=75 cpl
47587	Nut G2 $\frac{3}{4}$ for Fitting G2 Di=52,5 mm
47733	Nut G2 $\frac{3}{4}$ for Fitting G2 Di=68 mm
More Fittings: see section AS Fittings	

