



Multi-Spray Direct Control Master Twin

Master-Slave section control option capable of operating up to 8 standard Multi-Spray bodies

Specifications:

- Electro pneumatic valve for ON and OFF operation is mounted directly on the nozzle body
- Control current < 0,06A
- 12 V Voltage
- Maximum spray liquid pressure: 15 bar
- Minimum pneumatic pressure: 4,5 bar
- Maximum pneumatic pressure: 6,5 bar

System integration into the field sprayer:

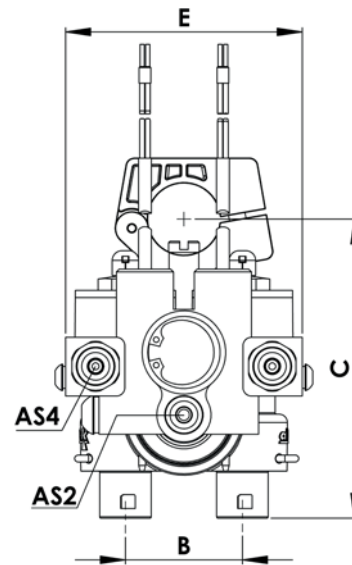
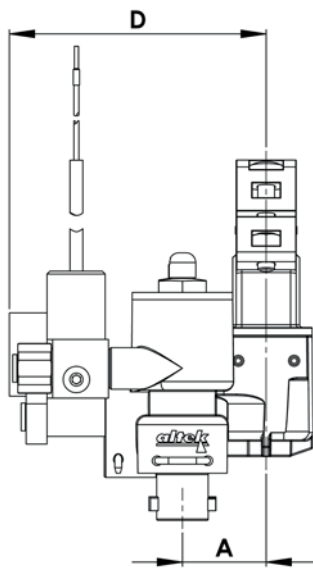
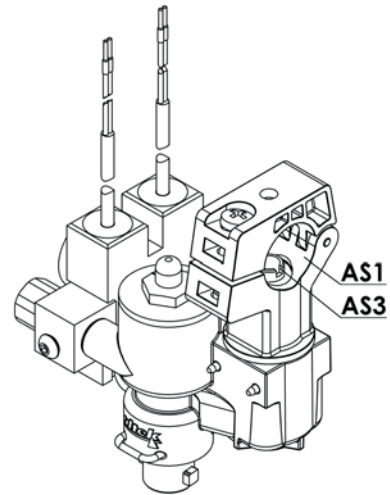
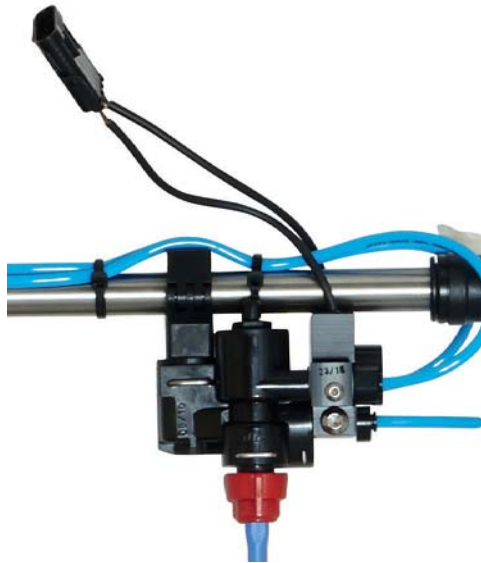
- For OEM original fitment and retrofitting
- Replaces the standard section valves and hoses
- Only one electrical line per orifice and section required (Master-Slave version)
- Reduction in residual liquids, recirculation possible by mounting hoses in a ring line
- No additional electro pneumatic valve bank required
- Easy mounting of the pneumatic hoses
- Individual nozzle control possible with additional controller

Benefits for the end user:

- Ideal for spray operators requiring different application rates/drop sizes/fast and easy nozzle change
- Nozzle control is operated directly on the spray line
- Fast and safe ON/OFF control reduces chance of overapplication
- Selective manual or automatic nozzle-switching is possible, depending on the electronic equipment
- GPS-controlled single nozzle or section control is possible with additional controllers
- Instant liquid spray pressure at all nozzles when turning on (circulation system)
- Pressure recirculation system possible
- Minimal residual chemicals = less waste, reduced costs and safer environment



Multi-Spray Direct Control Master Twin



Multi-Spray Direct Control Master Twin

Art-No.	Type	A mm	B mm	C mm	D mm	E mm	AS1 mm	AS2 mm	AS3 mm	AS4 mm
83771	Multi-Spray Master Valve Valve 2N; 20 mm; Ø9,5	30	42	109	92	85	20	Ø6	Ø9,5	Ø6
83818	Multi-Spray Master Valve Valve 2N; ¼"; Ø9,5	30	42	109	92	85	¼"	Ø6	Ø9,5	Ø6
84069	Multi-Spray Master Valve Valve 2N; ¼" ; Ø11	30	42	109	92	85	¼"	Ø6	Ø11	Ø6