



Multi-Spray Quad

Pneumatic nozzle body, opens with air pressure and closes by mechanical spring pressure

Specifications:

- Each line can be operated either independently or combined (Quad = 4 lines)
- Proven long life integrated altek piston / viton lip seal
- Manual nozzle selection / variable rate operation possible
- Maximum spray liquid pressure: 15 bar
- Minimum pneumatic pressure: 4,5 bar
- Maximum pneumatic pressure: 6,5 bar
- Low air volume required: 4.770 mm³

System integration into the field sprayer:

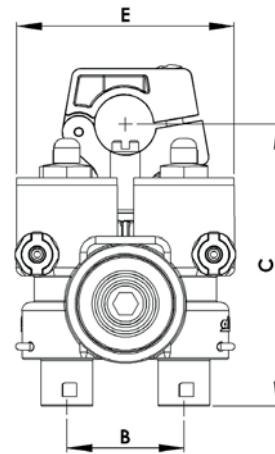
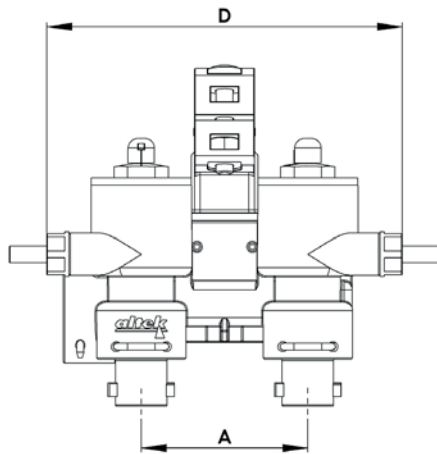
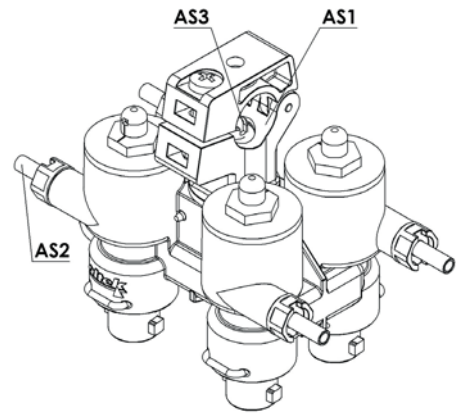
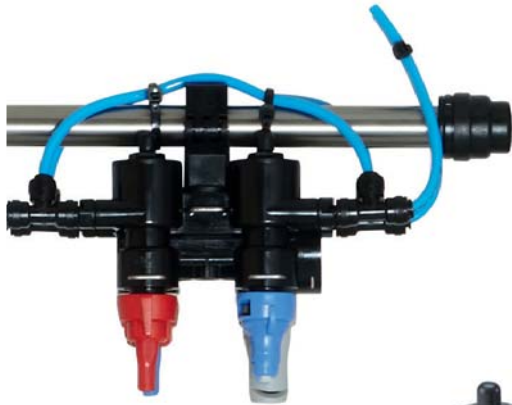
- For OEM original fitment and retrofitting
- Replaces the standard section valves and hoses
- Reduction in residual liquids, recirculation possible by mounting hoses in a ring line
- Infrastructure/facilities for pneumatic required for ON/OFF control

Benefits for the end user:

- Ideal for spray operators requiring different application rates/drop sizes/fast and easy nozzle change
- Safe OFF control up to 15 bar spraying pressure
- Fast and safe ON/OFF control reduces chance of overapplication
- Selective manual or automatic nozzle-switching is possible, depending on the electronic equipment
- Pressure recirculation system possible
- Minimal residual chemicals = less waste, reduced costs and safer environment



Multi-Spray Quad



Muti-Spray Twin nozzle position 0°/0°

Art-No.	Type	A mm	B mm	C mm	D mm	E mm	AS1 mm	AS2 mm	AS3 mm
82113	Multi-Spray 4N; ½" ; Ø9,5	60	42	103	128	64	½"	78	Ø9,5
82114	Multi-Spray 4N; 20mm; Ø9,5	60	42	102	128	64	20	78	Ø9,5
82115	Multi-Spray 4N; ¾" ; Ø9,5	60	42	109	128	64	¾"	78	Ø9,5
82116	Multi-Spray 4N; ¾" ; Ø11	60	42	109	128	64	¾"	78	Ø11
82117	Multi-Spray 4N; 1" ; Ø9,5	60	42	114	128	64	1"	78	Ø9,5
82118	Multi-Spray 4N; 1" ; Ø11	60	42	114	128	64	1"	78	Ø11