



Spray-Stop Direct Control Master

Master-Slave section control option capable of operating up to 8 standard Spray-Stops

Specifications:

- Control current < 0,06A
- 12 V Voltage
- Pneumatic supply can be positioned through 360°
- Maximum spray liquid pressure: 12 bar
- Minimum pneumatic pressure: 4,5 bar
- Maximum pneumatic pressure: 6,5 bar

System integration into the field sprayer:

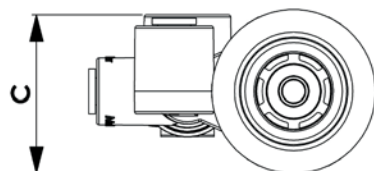
- For modern field sprayers with pneumatic supply and electronical control
- For OEM original fitment and retrofitting (fits all common nozzle bodies)
- Replaces the standard section valves and hoses
- Only one electrical line per section (Master-Slave version)
- Reduction in residual liquids, recirculation possible by mounting hoses in a ring line
- No additional electro pneumatic valve bank required
- Easy mounting of the pneumatic hoses
- Flexible configuration of the sections easily achieved

Benefits for the end user:

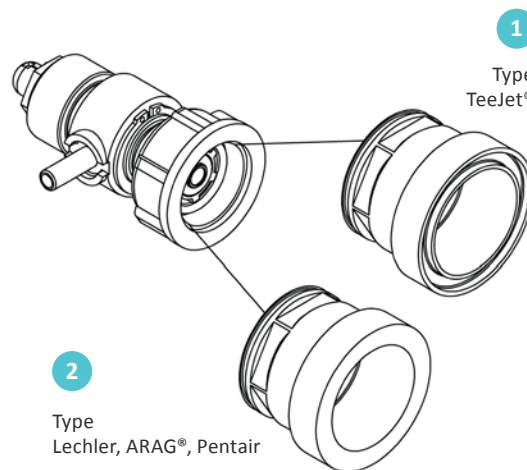
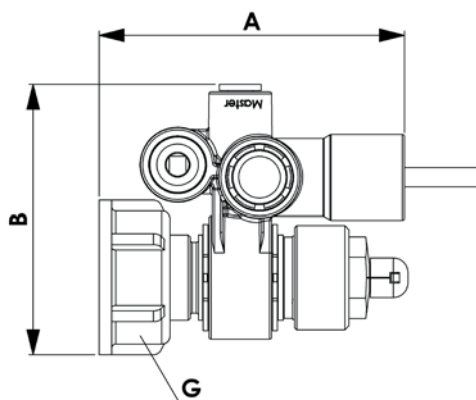
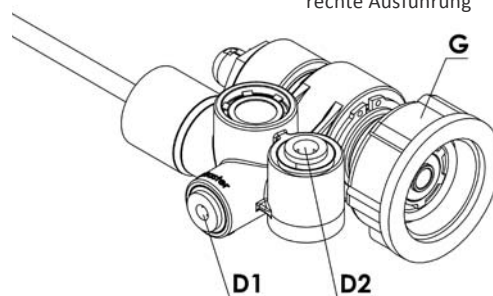
- Nozzle control is operated directly on the spray line
- Fast and safe ON/OFF control reduces chance of over application
- GPS section / individual nozzle control is possible (additional controllers required)
- Pressure recirculation system possible
- Instant liquid spray pressure at all nozzles when turning on (circulation system)
- Minimal residual chemicals = less waste, reduced costs and safer environment



Spray-Stop Direct Control Master



Darstellung:
rechte Ausführung



Rechte und linke Ausführung für den problemlosen Einbau in das Gestänge.

Spray-Stop Direct-Control Master

Art-No.	Type	Type	A	B	C	D1 mm	D2 mm	G mm
83215	Direct-Control Master left	1	73	65	36	Ø4	Ø6	G¾"
83214	Direct-Control Master right	1	73	65	36	Ø4	Ø6	G¾"
84153	Direct-Control Master left	2	73	65	36	Ø4	Ø6	G¾"
84152	Direct-Control Master right	2	73	65	36	Ø4	Ø6	G¾"