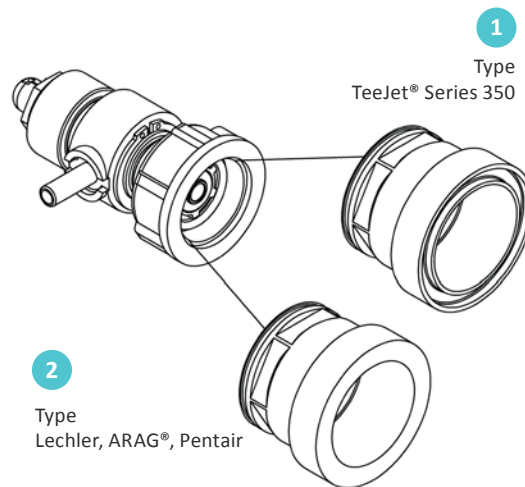
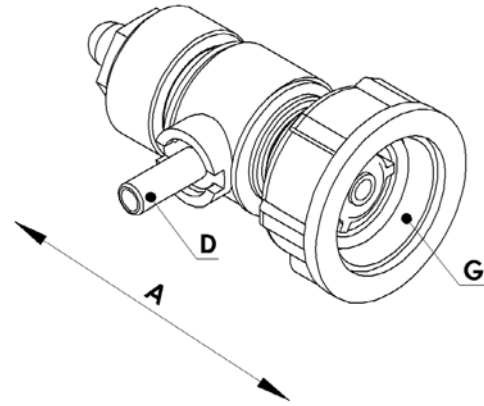


# Spray-Stop



1

Type  
TeeJet® Series 350

2

Type  
Lechler, ARAG®, Pentair

Spray-Stop					
Art-No.	Type	Type	A	D mm	G
83055	Spray-Stop cpl, 4 mm	2	73	Ø4	G $\frac{3}{4}$ "
80923	Spray-Stop cpl, 6 mm	2	73	Ø6	G $\frac{3}{4}$ "
83044	Spray-Stop cpl, 4 mm	1	73	Ø4	G $\frac{3}{4}$ "
81375	Spray-Stop cpl, 6 mm	1	73	Ø6	G $\frac{3}{4}$ "