

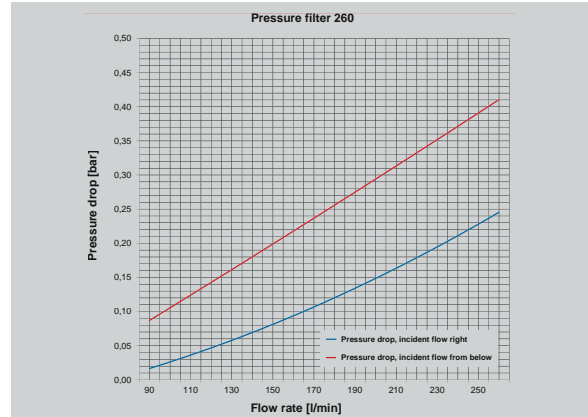


Filter · Pressure filter 260 L

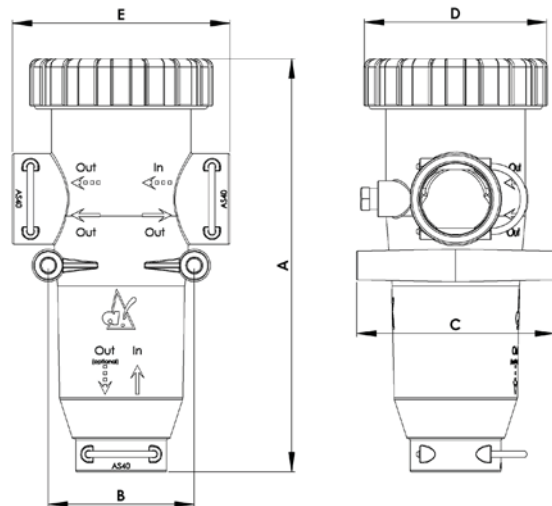
Pressure filter 260 L

- innovative concept of internal sealing
- self cleaning feature for long return service
- the filter can be serviced without draining and no chemical loss

Maximum pressure: 15 bar
 Maximum flow rate: 260 l/min
 Outlet- ϕ self rinsing valve: AS40
 Pressure gauge connection: 2 x G $\frac{1}{4}$
 Filter meshes: stainless steel: 1.4305
 Seals: FPM
 Filter body: POM GF 25



Recommended Fittings	
Article-No.	Type
04595	Plug-in hose tail AS40/ ϕ 25 kpl
04581	Plug-in hose tail AS40/ ϕ 33 kpl
09184	Plug-in hose tail AS40/ ϕ 25/90° kpl
80357	Plug-in hose tail AS40/ ϕ 25
34232	Plug-in hose tail AS40/ ϕ 33
More Fittings: see section AS40 Fittings	



A mm	B mm	C mm
255	90	122
D mm	E mm	
113	134	

Pressure filter variants					
Article-No.	Type	AS	Filter insert	Mesh	Color code
82788	Pressure filter Dfi 260/M32	40	82780	32 mesh/inch	Red
82789	Pressure filter Dfi 260/M50	40	82781	50 mesh/inch	Blue
82790	Pressure filter Dfi 260/M80	40	82782	80 mesh/inch	Yellow
82791	Pressure filter Dfi 260/M100	40	82783	100 mesh/inch	Green

*BS = Modular construction system