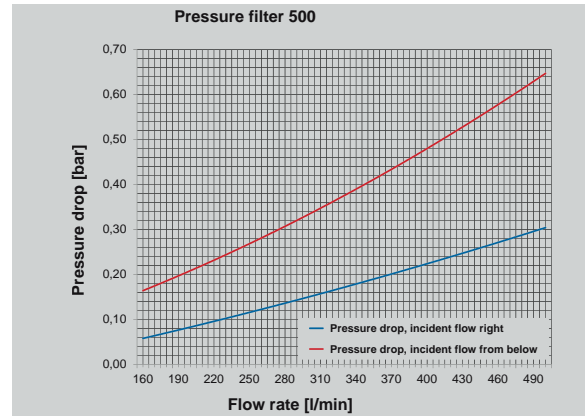




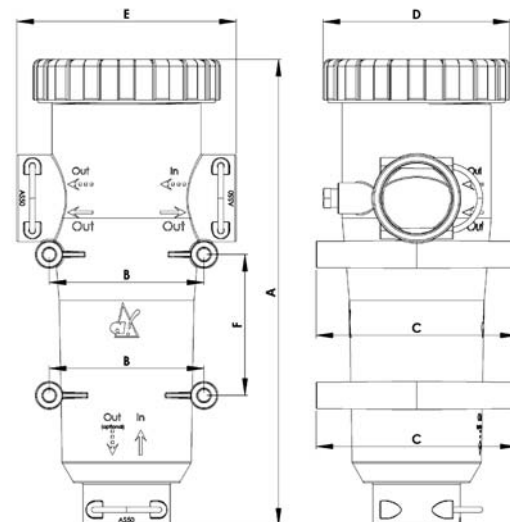
Pressure filter 500 L

- innovative concept of internal sealing
- self cleaning feature for long return service
- the filter can be serviced without draining and no chemical loss

Maximum pressure: 15 bar
 Maximum flow rate: 500 l/min
 Outlet- ϕ self rinsing valve: AS50
 Pressure gauge connection: G $\frac{1}{4}$
 Filter meshes: stainless steel: 1.4305
 Seals: FPM
 Filter body: POM GF 25



Recommended Fittings	
Article-No.	Type
17157	Plug-in hose tail AS50/ ϕ 46 cpl
17330	Plug-in hose tail AS50/ ϕ 46/90° cpl
22040	Plug-in hose tail AS50/ ϕ 39 cpl
24891	Plug-in hose tail AS50/ ϕ 39/90° cpl
80610	Plug-in hose tail AS50/G2/male cpl
More Fittings: see section AS50 Fittings	



A mm	B mm	C mm
332	110	143
D mm	E mm	F mm
133	156	100

Pressure filter variants					
Article-No.	Type	AS	Filter insert	Mesh	Color code
82792	Pressure filter Dfi 500/M32	50	82784	32 mesh/inch	Red
82793	Pressure filter Dfi 500/M50	50	82785	50 mesh/inch	Blue
82794	Pressure filter Dfi 500/M80	50	82786	80 mesh/inch	Yellow
82795	Pressure filter Dfi 500/M100	50	82787	100 mesh/inch	Green

*BS = Modular construction system