



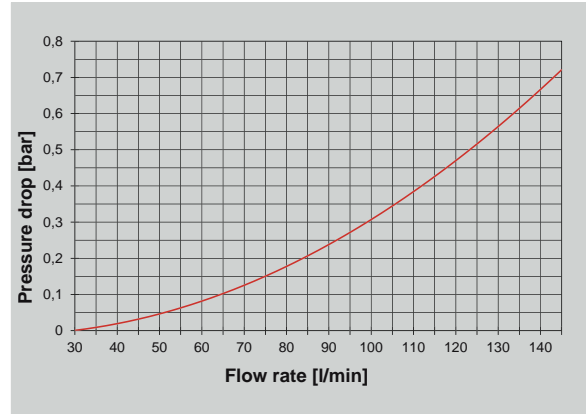
Mechanical shut off valve 36/ø25 mm

- simple mechanical shut off valve for hoses until 16 mm
- coloured levers for different functions
- optimal designed for our regulator systems
- individual choice of valve alignment
- robust construction
- multi-combinable with the altek modular system

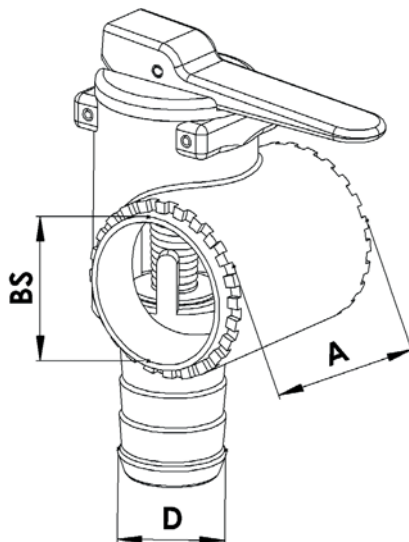
Maximum pressure: 12 bar
 Inlet-ø: 36 mm, tuned to fit the altek modular system
 Outlet-ø: 25 mm hose connection
 Lever colour : red
 Material: POM, PA, stainless steel: 1.4305, FPM and NBR seals

Options:

- Additional colours for levers are available on request



Art.No.	Type	Remarks Control lever
39767	Mechanical shut off valve 36/ø25mm	Mechanical shut off valve 36/ø25mm
47740	Mechanical shut off valve 36/ø25mm	Control lever backward-turned



BS mm	AS	A mm
36	25	54

More Fittings: see section Fittings