



Pressure filter

The efficient filtering of liquids is very important in the operation of the sprayer.

altek has developed specific features to their pressure filters:

The operators safety has been increased highly, since the filter element is removable to the top, during service. Undesirable contamination of chemicals to operator, environment and sprayer is avoided.

The innovative concept of the pressure filter ensures, that the return flow from the regulator can be used for permanent filter rinsing. Extended working time of the filter between servicing is the result.

Only the portion of liquid necessary for the boom spraying gets filtered. This increases the capacity of the filter.

Overview of features:

- Available in 2 sizes
 - 260 l/min and AS40 connectors.
 - 500 l/min and AS50 connectors
- Max. operating pressure up to 15 bar, pressure peaks up to 20 bar
- Extended protection for operator, environment and sprayer, due to reduced risk of contamination during service is avoided
- Innovative filter concept allows permanent filter cleaning
- Smaller filter elements sizes are possible because filtering of the liquid for the spray boom only
- filter inserts sizes available in 30, 50, 80 and 100 mesh

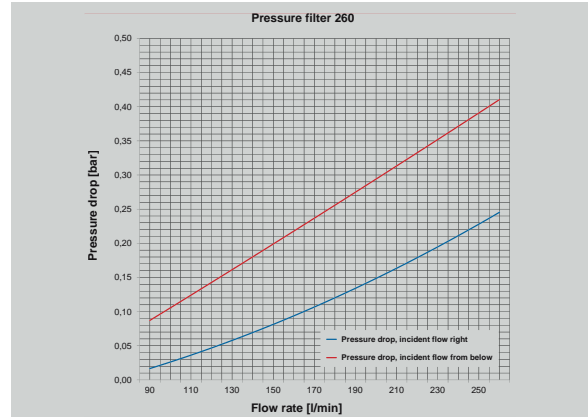


Filter · Pressure filter 260 L

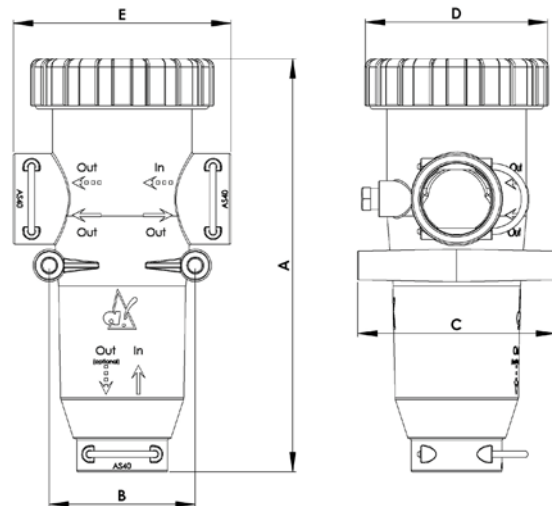
Pressure filter 260 L

- innovative concept of internal sealing
- self cleaning feature for long return service
- the filter can be serviced without draining and no chemical loss

Maximum pressure: 15 bar
 Maximum flow rate: 260 l/min
 Outlet- ϕ self rinsing valve: AS40
 Pressure gauge connection: 2 x G $\frac{1}{4}$
 Filter meshes: stainless steel: 1.4305
 Seals: FPM
 Filter body: POM GF 25



Recommended Fittings	
Article-No.	Type
04595	Plug-in hose tail AS40/ ϕ 25 kpl
04581	Plug-in hose tail AS40/ ϕ 33 kpl
09184	Plug-in hose tail AS40/ ϕ 25/90° kpl
80357	Plug-in hose tail AS40/ ϕ 25
34232	Plug-in hose tail AS40/ ϕ 33
More Fittings: see section AS40 Fittings	



A mm	B mm	C mm
255	90	122
D mm	E mm	
113	134	

Pressure filter variants					
Article-No.	Type	AS	Filter insert	Mesh	Color code
82788	Pressure filter Dfi 260/M32	40	82780	32 mesh/inch	Red
82789	Pressure filter Dfi 260/M50	40	82781	50 mesh/inch	Blue
82790	Pressure filter Dfi 260/M80	40	82782	80 mesh/inch	Yellow
82791	Pressure filter Dfi 260/M100	40	82783	100 mesh/inch	Green

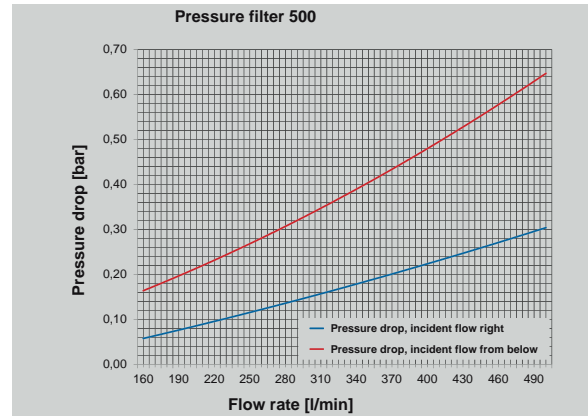
*BS = Modular construction system



Pressure filter 500 L

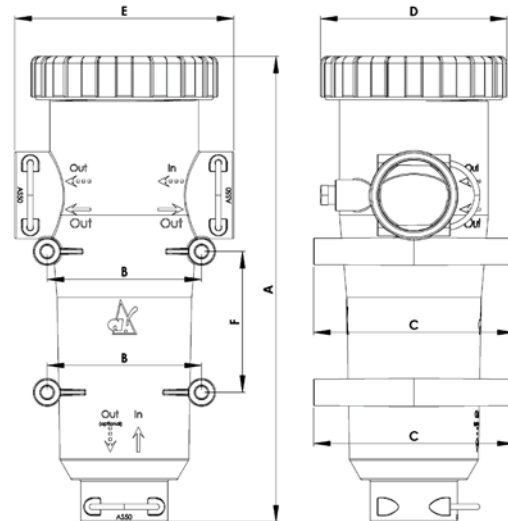
- innovative concept of internal sealing
- self cleaning feature for long return service
- the filter can be serviced without draining and no chemical loss

Maximum pressure: 15 bar
 Maximum flow rate: 500 l/min
 Outlet- ϕ self rinsing valve: AS50
 Pressure gauge connection: G $\frac{1}{4}$
 Filter meshes: stainless steel: 1.4305
 Seals: FPM
 Filter body: POM GF 25



Recommended Fittings

Article-No.	Type
17157	Plug-in hose tail AS50/ ϕ 46 cpl
17330	Plug-in hose tail AS50/ ϕ 46/90° cpl
22040	Plug-in hose tail AS50/ ϕ 39 cpl
24891	Plug-in hose tail AS50/ ϕ 39/90° cpl
80610	Plug-in hose tail AS50/G2/male cpl
More Fittings: see section AS50 Fittings	



A mm	B mm	C mm
332	110	143
D mm	E mm	F mm
133	156	100

Pressure filter variants

Article-No.	Type	AS	Filter insert	Mesh	Color code
82792	Pressure filter Dfi 500/M32	50	82784	32 mesh/inch	Red
82793	Pressure filter Dfi 500/M50	50	82785	50 mesh/inch	Blue
82794	Pressure filter Dfi 500/M80	50	82786	80 mesh/inch	Yellow
82795	Pressure filter Dfi 500/M100	50	82787	100 mesh/inch	Green

*BS = Modular construction system



Pressure filter insert

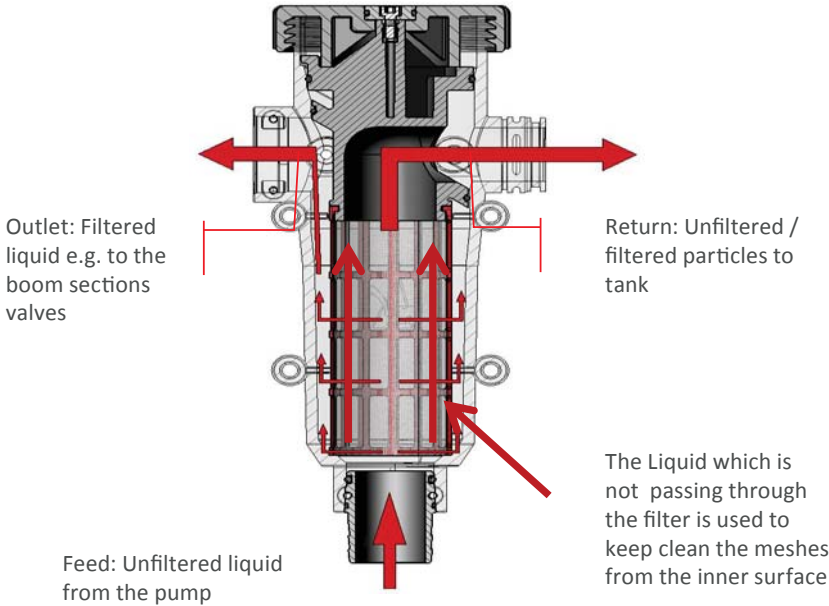
- stainless steel filter
- large filter area through compact design

Pressure filter inserts Dfi 260			
Article-No.	Type	Filter mesh	Color code
82780	Pressure filter insert Dfi 260	32 mesh/inch	Red
82781	Pressure filter insert Dfi 260	50 mesh/inch	Blue
82782	Pressure filter insert Dfi 260	80 mesh/inch	Yellow
82783	Pressure filter insert Dfi 260	100 mesh/inch	Green
Pressure filter inserts Dfi 500			
82784	Pressure filter insert Dfi 500	32 mesh/inch	Red
82785	Pressure filter insert Dfi 500	50 mesh/inch	Blue
82786	Pressure filter insert Dfi 500	80 mesh/inch	Yellow
82787	Pressure filter insert Dfi 500	100 mesh/inch	Green

Self rinsing valve		
Article-No.	Type	To be used with
83744	Adapter AS50 with self rinsing valve	Pressure filter 500l
83745	Adapter AS40 with self rinsing valve	Pressure filter 260l



Operating mode of self cleaning filter



Conventional Mode (No self cleaning action)

