

Correct Installation of Filter Insert Following Servicing

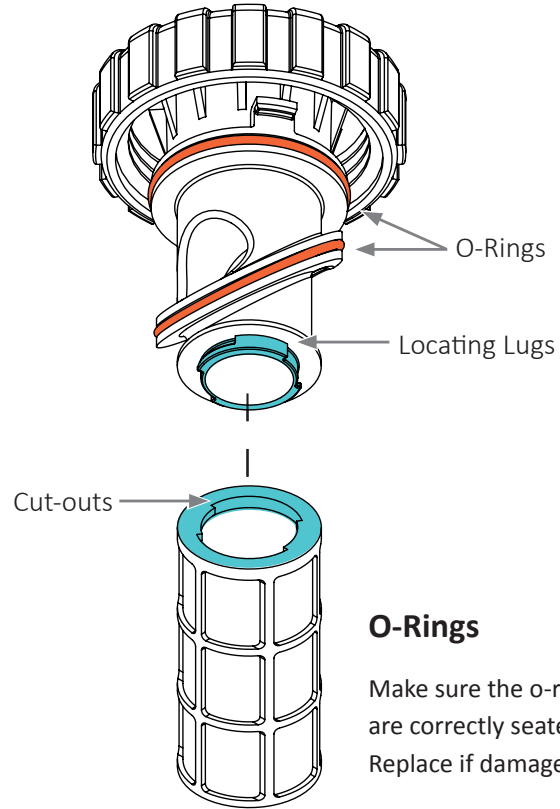
Following the servicing of the filter inserts it is important to ensure the filter as follows:

1

Filter into Filter Carrier

Ensure the locating lugs on the filter carrier are aligned to the cut-outs on the filter insert, when refitting the filter insert to the carrier.

Twist the filter element fully in the direction of the arrow (anti-clockwise) until fully locked, when fitted to the carrier (bayonet catch).



O-Rings

Make sure the o-rings are correctly seated. Replace if damaged.

2

Filter Carrier into Filter Body

Correct alignment of the filter carrier into the body is important, failure to install correctly will result in unfiltered product bypassing the filters, resulting in nozzle blockage issues.

Ensure **both** locating pegs on the filter insert carrier are aligned with the **two** cut outs in the filter body. Push the filter carrier into the housing and then turn the screw cap until it is locked.

